



..... 2

2

2

2



- 6000mm
- 400kg
- 0%

220-240 AC/V

50/60 Hz

-20--+50

IP34

800 N

240 N

0.65 A

120 W

200 mm/s

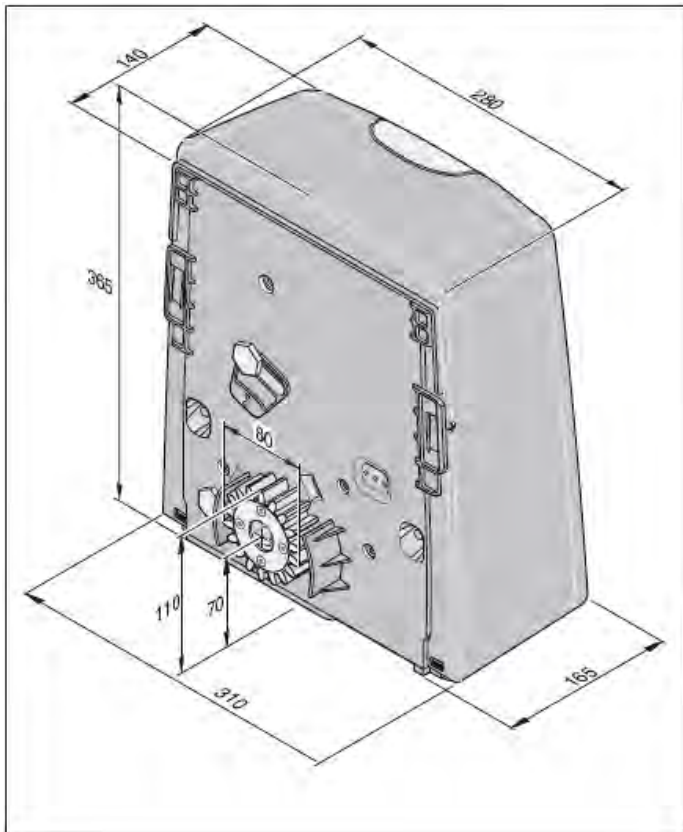
2 W

6 kg

40%

<75dBA-

mm



SOMMER  
 (SOMMER Antriebs-und Funktechnik GmbH  
 Hans-Boeckler-Strasse 21-27  
 D-73230 Kirchheim/Teck

- gator 400

- 98/37/EU

- 73/23/EEC

- 89/336/EEC

-EN60335-1,EN60335-2-103,DINVDE0801,  
 EN12453,EN12445

-EN55014-1:09/2003,EN55014-2:08/2002,  
 EN61000-3-2:12/2001

-EN61000-3-3:05/2002,EN61000-6-2:08/2002,  
 EN61000-6-7:08/2002

Kirchheim, xx.xx.2005

Frank Sommer  
 Managing Director

IEC364-4-41

IEC364-4-41



1035\*350\*270mm  
12kg

- 1. 1
- 2. 1
- 3. 1
- 4. 2
- 5. 1
- 6. 24 24 1
- 7. 1m 4
- 8. 2



400\*355\*225mm  
6kg

- 1. 1
- 2. 1
- 4. 2
- 5. 1
- 8. 2

|    |               |   |
|----|---------------|---|
| .  |               | . |
| .  |               | . |
| 1. | DC 24V        | . |
| 2. |               | . |
| 3. |               | . |
|    | EN12453       | . |
| 4. |               | . |
| 5. |               | . |
| 6. | 10M           | . |
| 7. | 8.2kOhm,Fraba | . |
| 8. |               | . |
| 9. |               | . |

1.6m

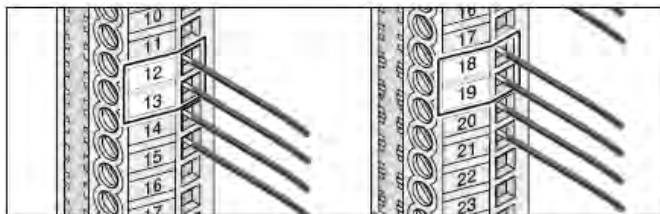
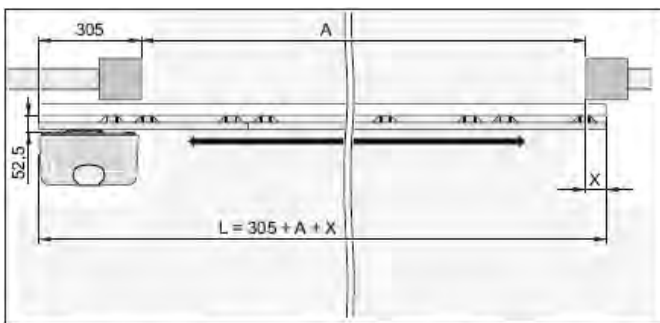
EN12604 EN12605



L=

A=

X=



12

13

18

19

" "

800mm

12

13

18

19

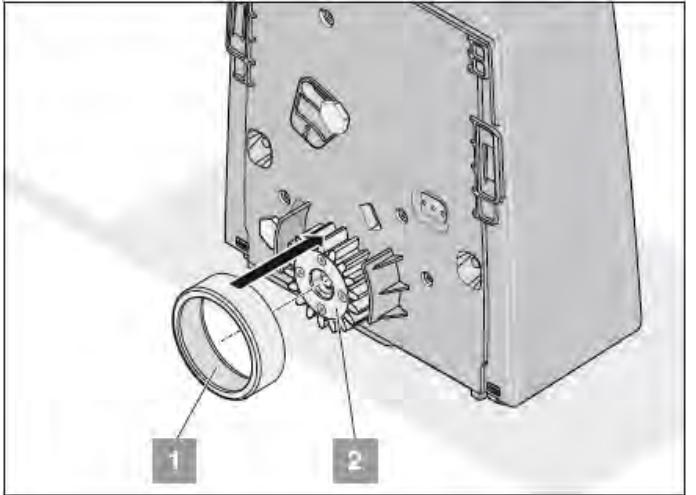
" "

" "

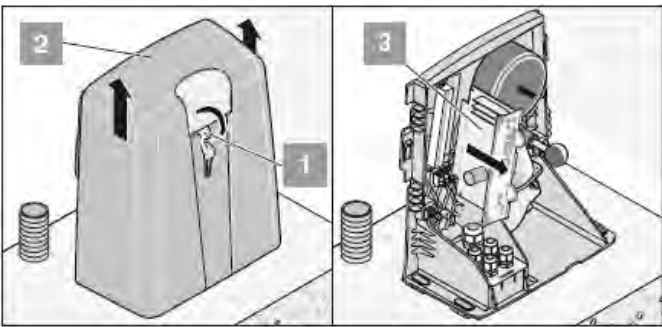
L=

A=

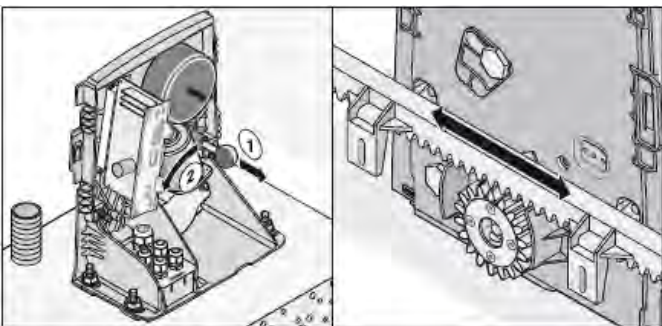
X=



1 2



1 90° 2  
3



1 2



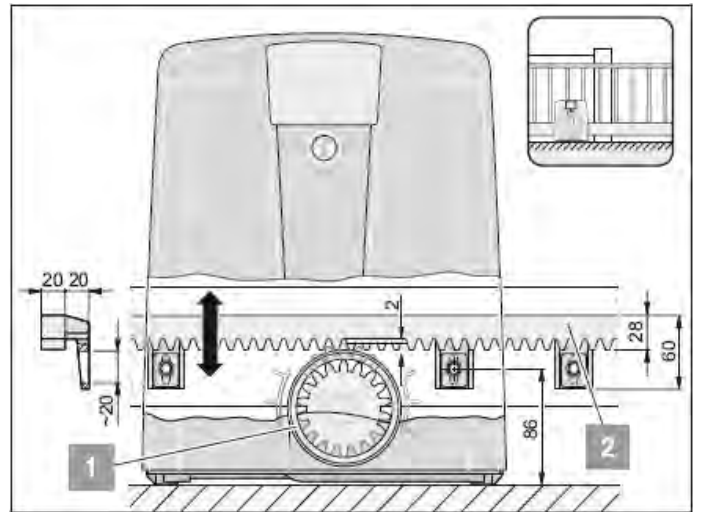




12mm



4 1m



2  
1 2  
2 1



2mm

2

1



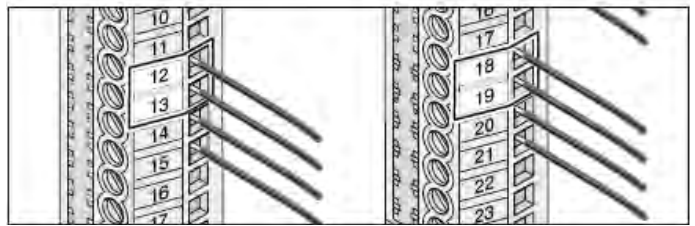
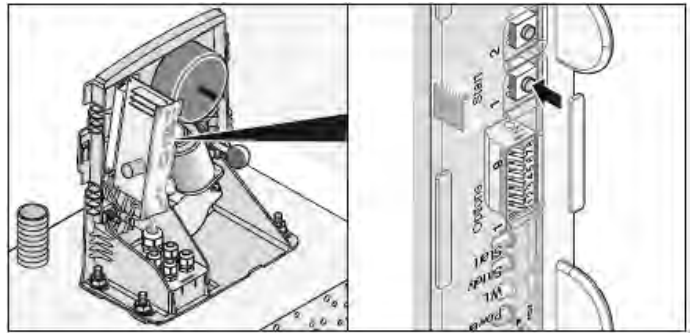
EN12453

1 90° 2  
3

- 1. PE
- 2. L AC 230 Volt
- 3. N

1 11  
12

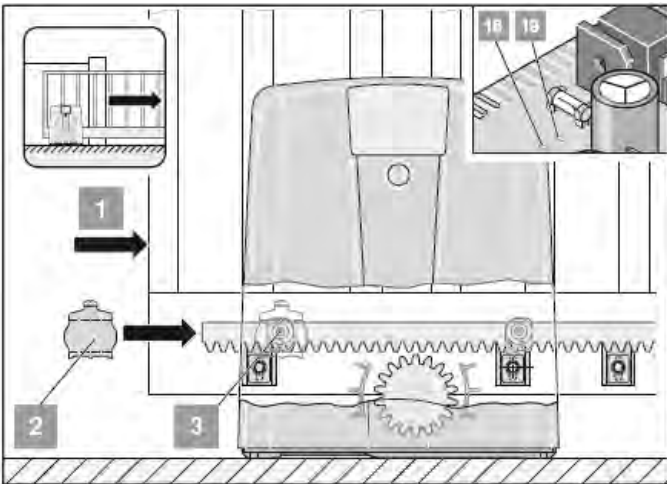
1 2  
1



1 12+13  
18+19( )



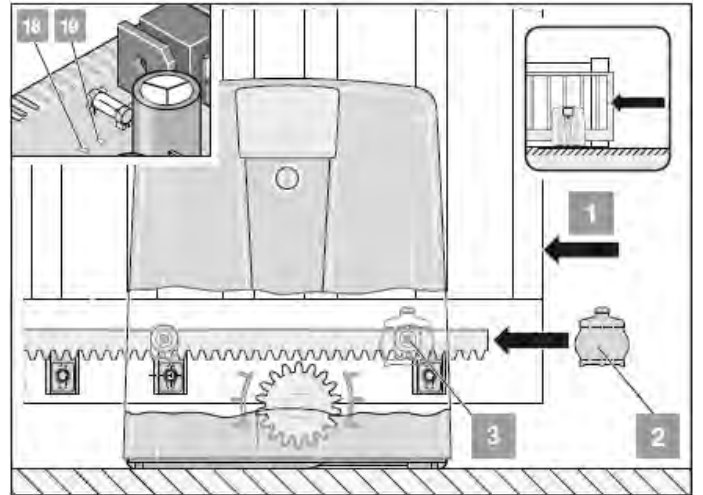
1 2



1  
2 3 LED

LED19 - " "  
LED18 - " "

2



1  
2 3 LED

LED18 - " "  
LED19 - " "

2

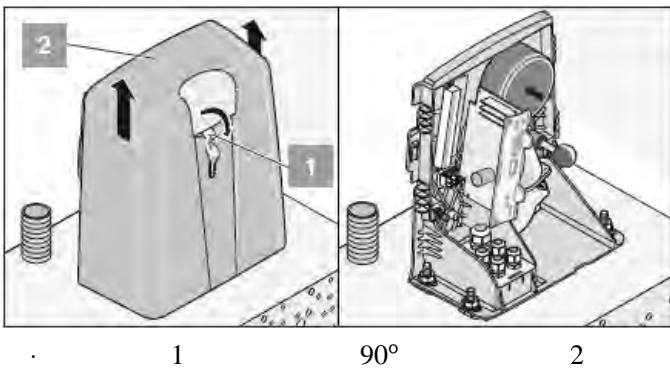


98/37/EG

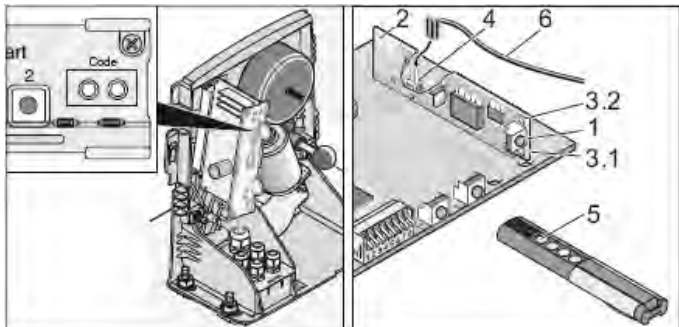
CE



“ ”



" "



1  
 -5 LED 10 LED - 25  
 LED  
 1

" "

1  
 -1 1 LED 3.1  
 -2 2 LED 3.2

5

LED -

10

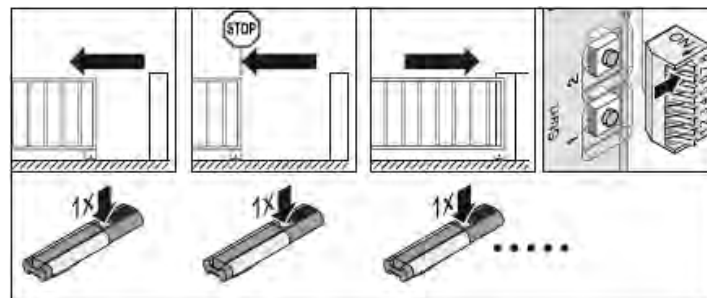
112

2

90

1  
 DIP7

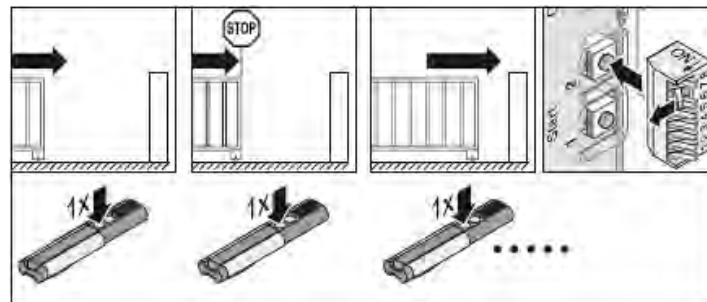
1  
 DIP7

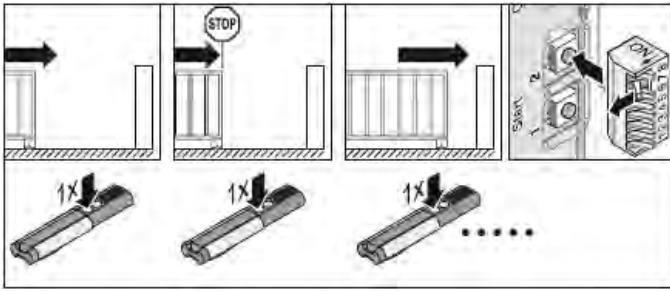


DIP7

-----

DIP7

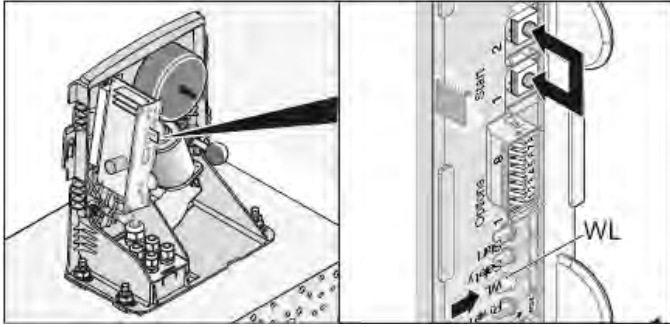




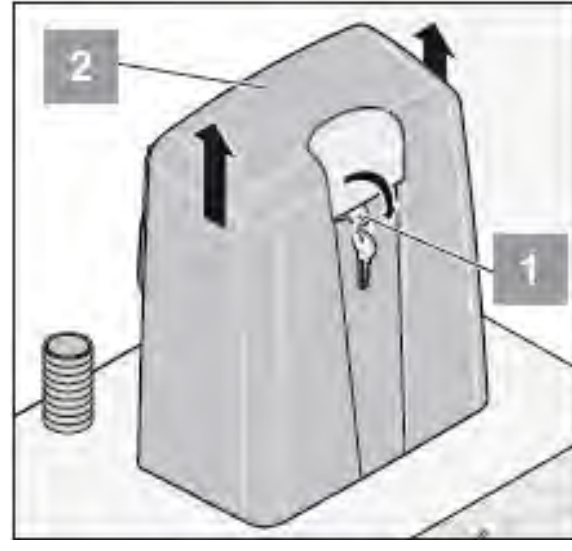
- DIP7
- 1 - - - -
- 2 - - - -

“ ”

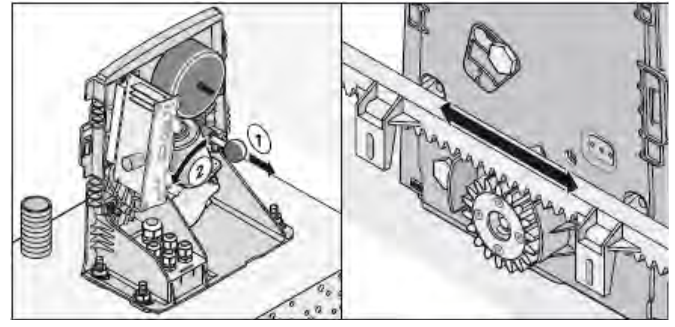
TorMinal



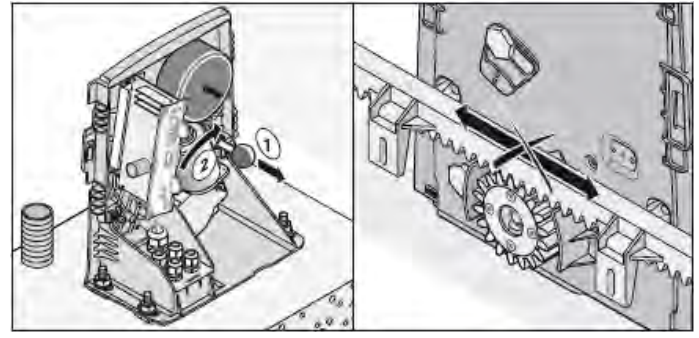
- 1+2 “ WL”
- WL - 1+2



- 1 90 2



- 1 2



- 1 2



1

- -

3.

2

DIP

20

- -  
- -

2

" "

1

2

1

/

2

/

**TorMinal**

1

2

1.

- -  
- -

2.

1

DIP

- -

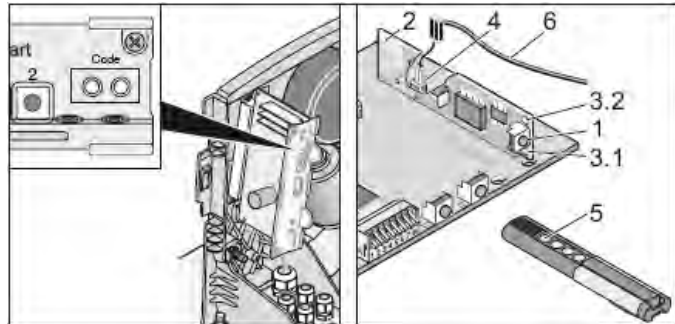
. DIP  
 .  
 .  
 1. 24  
 2. 1 16+17  
 4.  
 5.  
 6. 2 T2\*  
 7. 1 T1\*  
 8. DIP 1-8  
 9. LED4\*  
 10. LED3\*  
 11. WL LED2\*  
 12. LED1\*  
 13. P2\*  
 14. TorMinal  
 15. TorMinal  
 16.  
 17. 23+24  
 18. LED  
 " "  
 " "

19. LED  
 " "  
 " "  
**DIP 1-8**  
**i** **DIP** **DIP**  
 1 1 6+7  
 OFF  
 ON  
 -----  
 1 6+7  
 8.2KOhm  
 2 OFF  
 ON 8.2KOhm  
 -----  
 1 6+7 2 8+9  
 3 OFF  
 ON  
 -----  
 2 5 1  
 4 OFF  
 ON  
 -----  
 16+17  
 5 OFF 0  
 ON 3 -  
 -----  
 Fraba  
 6 OFF  
 ON  
 -----  
 " "  
 " "



7 OFF 1 2 -  
 - - - -  
 ON 1 - -  
 2 - -

8 OFF  
 ON  
 - / 1= - - ...  
 - / 2=  
 DIP7 OFF



1

2



2 3.2

/

3 LED

3.1 1 LED

3.2 2 LED

4 4

5

6

. 1  
 - 1 LED 3.1  
 - 2 LED 3.2  
 . 5

LED -  
 . 10  
 . 112



. 1 5 1 LED  
 . 1  
 . LED

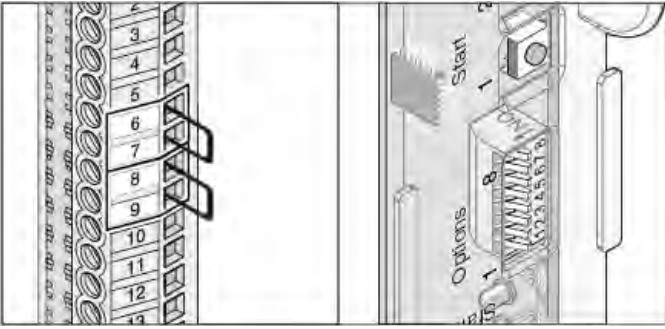
LED -

. 1  
 - 1 LED 3.1  
 - 2 LED 3.2  
 -5 LED 10 LED  
 . 1  
 1 -



. 1  
 -5 LED 10 LED  
 -25 LED  
 . 1  
 1 -

**DIP1 2+3**



EN12453

2

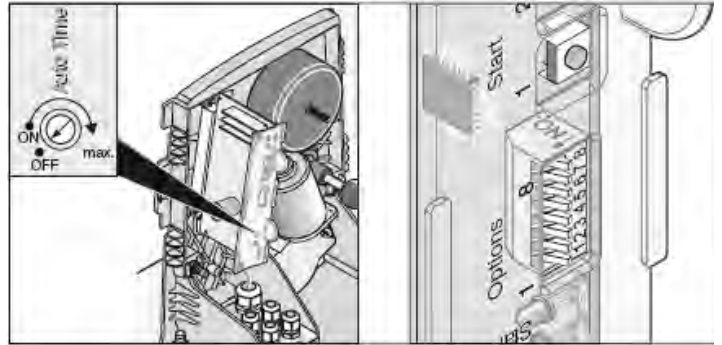


**DIP8**

1

- 1

16+17



1 6+7

DIP1

**DIP1**

OFF

ON

**DIP2**

1

6+7

OFF

ON 8.2kOhm( )

2 8+9



- 1-120

-

1+2

DIP1

DIP3

1 DIP3 6+7

**DIP3**

OFF

ON

2 8+9

**DIP3**

OFF

ON

1

- 1-120  
-DIP4 7+8 OFF  
- DIP

2

+ DIP4



1 2 5

2 8+9

- 1-120  
-DIP7+8 OFF  
-DIP4 ON  
- DIP

3

+ +



2 5  
- 1 6+7  
- 2 8+9

- 1-120  
-DIP7+8 OFF  
-DIP2 4 ON  
- DIP

**DIP5**

16+17 3

**DIP5**

OFF  
ON  
Fraba

**DIP6**

Fraba

**DIP6**

OFF  
ON

**DIP7**

/ 1 / 2  
DIP8 OFF 2 2

**DIP7**

OFF  
ON

**DIP8**

2

**DIP8**

OFF  
ON

**DIP7**

1 2 4+5  
2 2

2 1 2 2

1.  
2. DIP8 ON

- DIP8  
3. 2

- 2  
4. 2

5. 2 2

DIP8 OFF

1 2 2 1  
1 1 2+3  
2 2 4+5

24



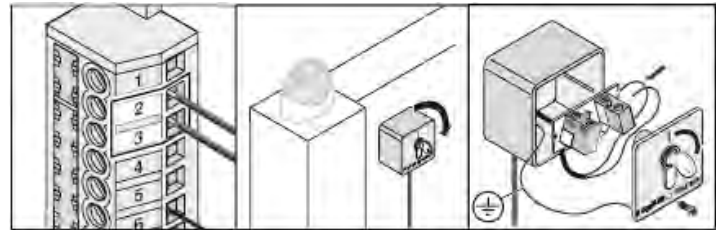
11+12

STA1

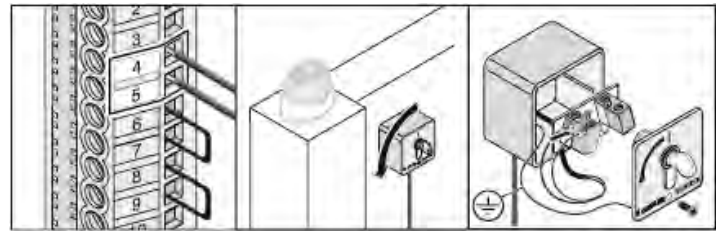
2.5mm<sup>2</sup>

|       |       |                    |      |
|-------|-------|--------------------|------|
|       |       | 1.5mm <sup>2</sup> |      |
|       |       | 10m                |      |
| 10+11 | 16+17 | 20+21              |      |
|       |       | 30m                |      |
| 2+3   | 4+5   | 6+7                | 8+9  |
|       | /     | /                  |      |
| 1     |       | 40Mhz              |      |
| 2+3   |       | 1                  |      |
| 4+5   |       | 2                  |      |
| 6+7   |       | 1                  | *    |
| 8+9   |       | 2                  | *    |
| 10+11 |       | 24V                |      |
|       |       | 0.1A               |      |
| 12    |       | *                  |      |
| 13    |       | *                  |      |
| 14+15 |       | 24V                | *    |
| 16+17 |       | 24V                |      |
| 18    |       | *                  |      |
| 19    |       | *                  |      |
| 20    |       | 12V                | 0.1A |
| 21    |       | *                  |      |
|       |       | *                  |      |
|       |       | 20                 |      |
| 22    | -     |                    |      |
| 23+24 |       | 230V               |      |
|       |       | 5A                 |      |
| *     |       |                    |      |

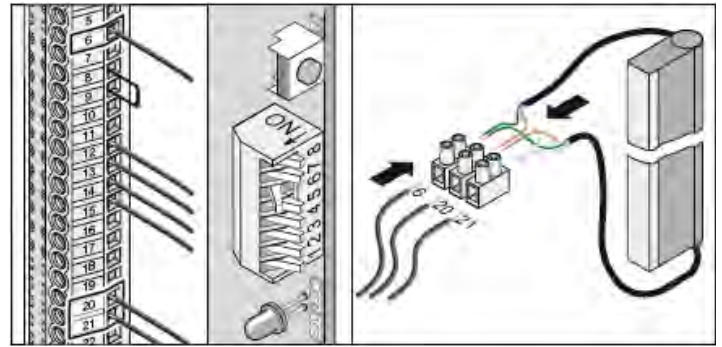
1 / PE  
 2a 230V L  
 3a N  
 2b+3b 230V



1  
2+3



2  
4+5  
2



6 Fraba  
 20 Fraba  
 21 Fraba

**DIP6 ON**

**1**  
 6+7 DIP2 OFF **24V**

**2**  
 8+9

10 24V 0.1A  
 11

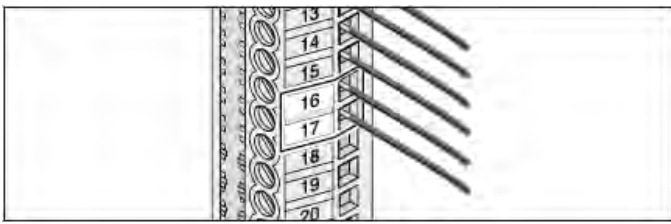


**8.2kohm Fraba**

**8.2kOhm**  
 8.2kOhm

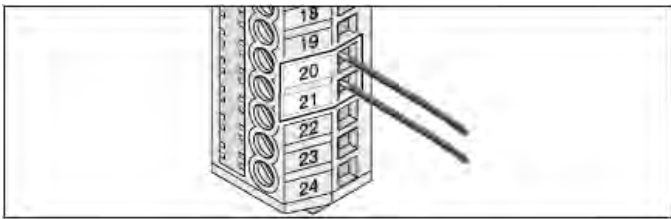
6+7 8.2kOhm  
**DIP2 ON**

**Fraba**

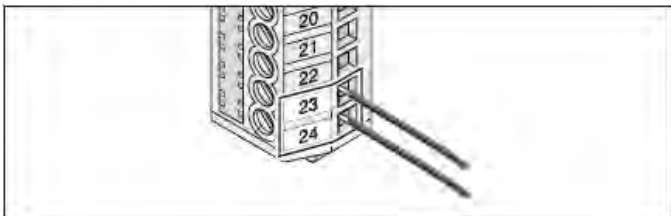


16+17      24V      34V    25W  
1A      1A

**12V**

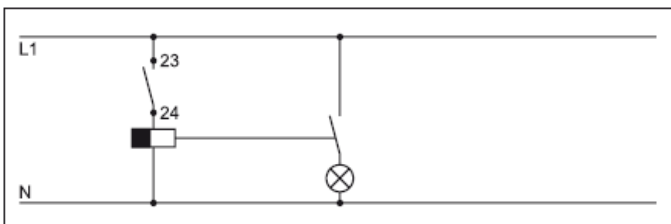


20 12V      0.1A  
21



23+24      230V      5A

TorMinal



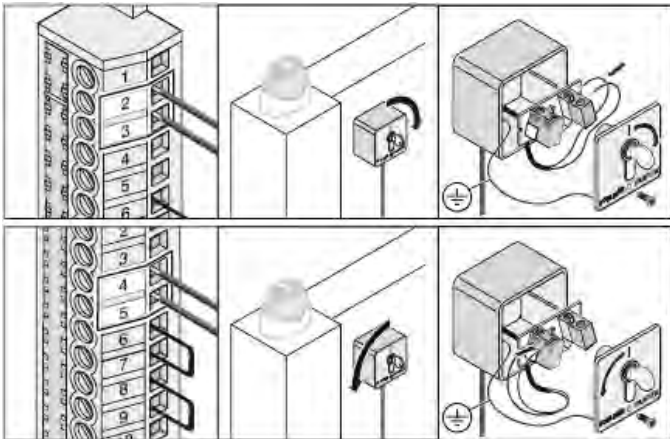
**TorMinal**

TorMinal

TorMinal

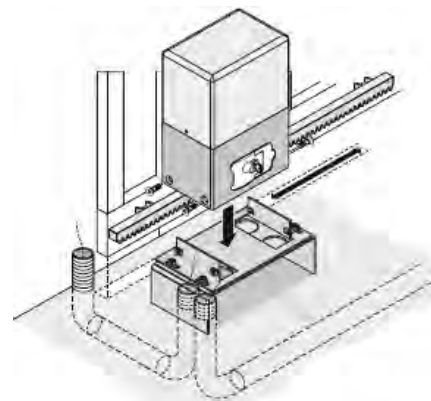
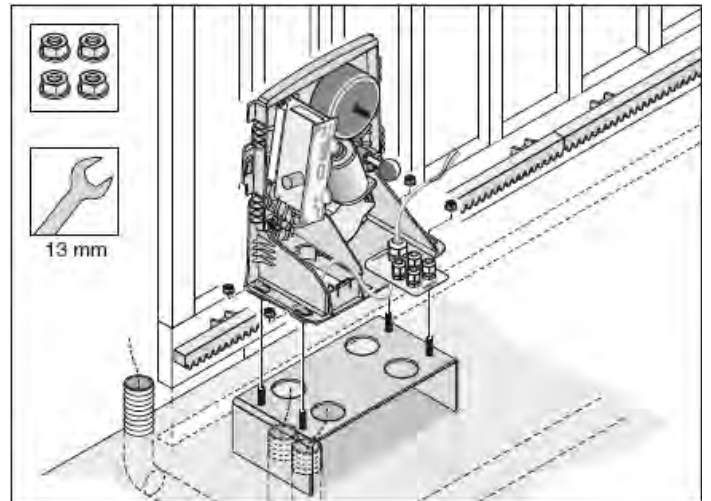
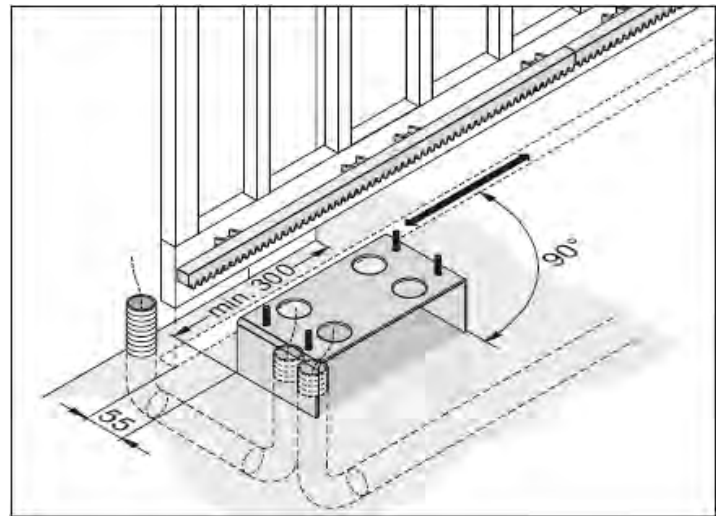
1.

2.



3.

4.



2

90

5.

7.

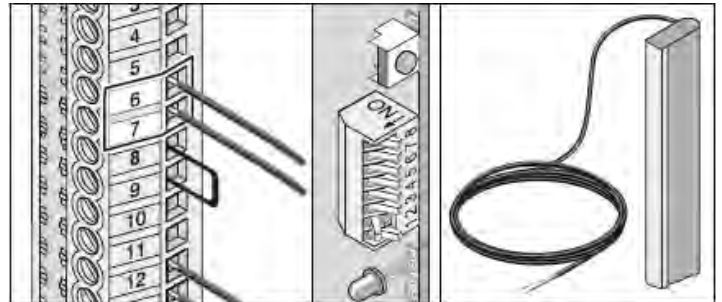


8.2kohm

Fraba

8.2kOhm

8.2kOhm

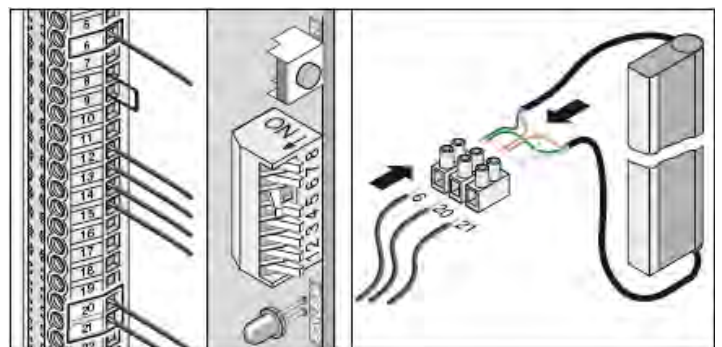


6+7 8.2kOhm

DIP2 ON

Fraba

6.



6 Fraba

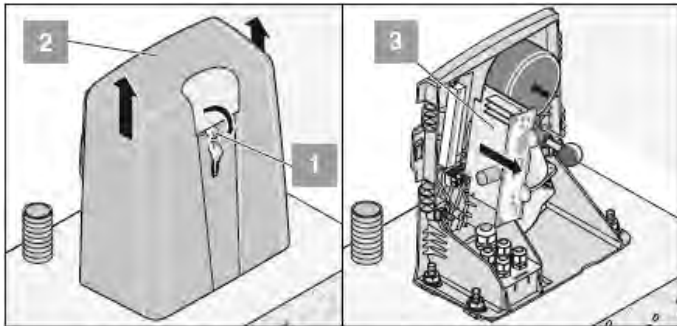
20 Fraba

21 Fraba

DIP6 ON





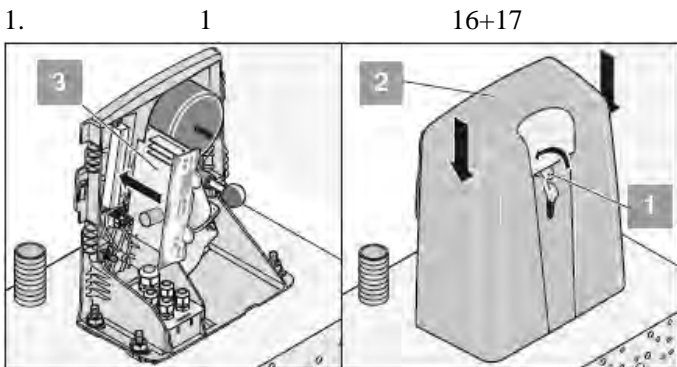


1 90 2  
3  
1A



" "

0049/7021/8001-403  
or 0086/021/69153155  
[doku@sommer-torantriebe.de](mailto:doku@sommer-torantriebe.de)  
or [info@sommer-china.com.cn](mailto:info@sommer-china.com.cn)



1. 1 16+17  
3 2  
2 3 90

SOMMER  
Hans-Boeckler-Strasse 21-7  
D-73230 Kirchheim unter Teck

1999/5/EC

R&TTE

RF

:RM04-868-2, RM03-868-4, RX01-868-2/4

RFSDT-868-1, RFSW-868-1, RM02-868-2,  
RM06-868-2, RM04-868-1, RM02-868-2-TIGA,  
RM08-868-2, RM01-868, RM02-434-2, RM03-434-4, RM04-434-2

-ETSI EN300220-1:09-2000,-3:09-2000  
-ETSI EN301489-1:07-2004,-3:08-2002  
-DIN EN60950-1:03-2003

Kirchheim, 04.08.2004  
Frank Sommer  
Managing Director



DIP

TorMinal

TorMinal

|  |        |  |
|--|--------|--|
|  |        |  |
|  | LED" " |  |
|  |        |  |
|  | LED" " |  |

|            |            |                      |
|------------|------------|----------------------|
|            |            |                      |
| 10cm       |            | TorMinal<br>TorMinal |
|            | DIP1 ON    | DIP1 OFF             |
|            |            |                      |
|            | LED" "     |                      |
|            |            |                      |
|            |            |                      |
|            |            | TorMinal             |
| LED" "     | 1 2        |                      |
|            | 3.2 LED3.1 |                      |
| LED        | 112        |                      |
| LED3.1 3.2 |            |                      |
| LED3.1 3.2 |            |                      |
|            |            |                      |